

WATER COOLED CONDENSING UNIT

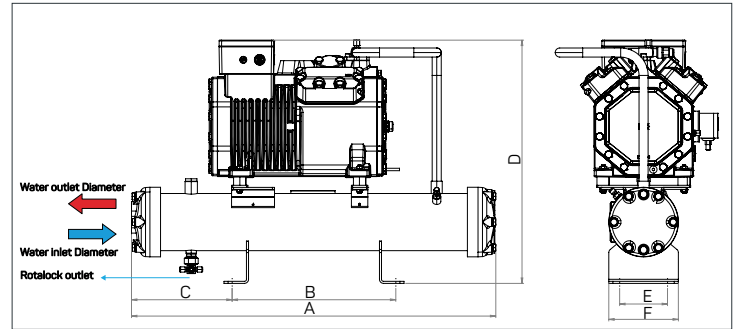
Model: RWUL-B030Y-13R



DATA SHEET

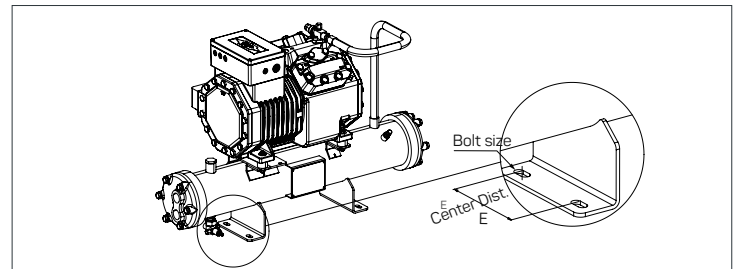
DIMENSIONS TABLE

A	867 mm
B	400 mm
C	244 mm
D	518 mm
E	79 mm
F	408 mm

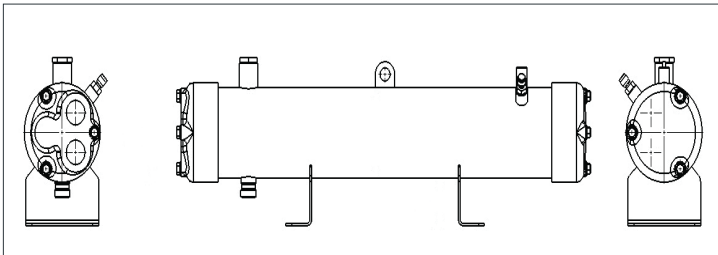


CONNECTIONS & WEIGHT

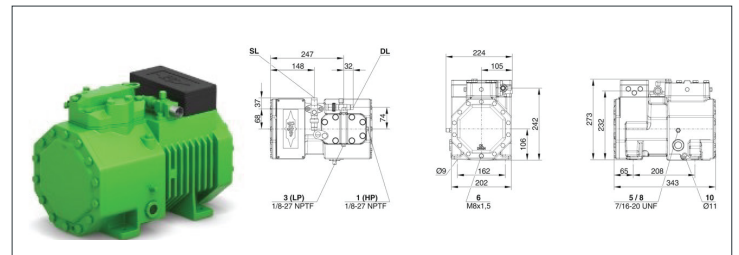
Water Inlet	G 1"
Water Outlet	G 1"
Liquid Refrigerant Outlet	1/2"
Bolt Size	M10
Weight	100 kg



CONDENSER SPECIFICATION



COMPRESSOR SPECIFICATION



CONDENSER MODEL: 13R

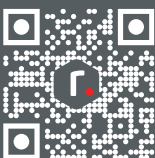
Tube Side	
Volume	1.5 L
Max Allowable Pressure	16 bar
Water flow rate	1.4 m ³ /h
Pressure drop	6.8 kPa
Shell Side	
Volume	5.4 L
Max Allowable Pressure	30 bar

BITZER COMPRESSOR MODEL: 2CES-3Y-40S

Displacement (1450 RPM 50Hz)	16.24 m ³ /h
Max. pressure (LP/HP)	19 / 32 bar
Connection suction line	22 mm – 7/8"
Connection discharge line	16 mm – 5/8"
Motor version	2
Motor voltage	380-420V Y-3-50Hz
Max. Operating current	9.1 A
Max. Power input	5.0 kW
Oil Type	BSE32 (Standard)

The *rime Water-Cooled Condensing Unit* is engineered for reliable, high-efficiency performance in commercial and industrial refrigeration applications. Designed with a compact layout and built using quality-driven components, the unit ensures stable operation, effective

heat rejection, and long-term durability under demanding conditions. Our manufacturing capabilities, reflects a commitment to precision, reliability, and building refrigeration solutions that are designed to perform and built to endure.



CONTACT
SALES@RIMEGROUP.COM
+971 4 4918522

RIME GROUP FZE
Plot No. S21315, South Zone JAFZA, Dubai, UAE
P.O Box 26828 | www.rimegroup.com