

WATER COOLED CONDENSING UNIT

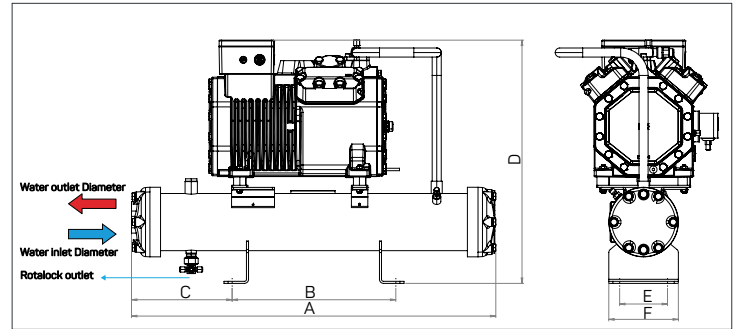
Model: RWUM-B040Y-35R



DATA SHEET

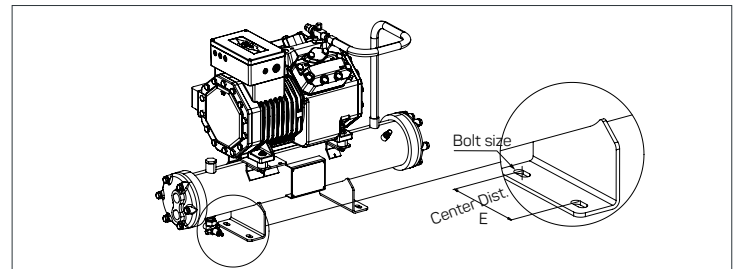
DIMENSIONS TABLE

A	888 mm
B	400 mm
C	244 mm
D	622 mm
E	117 mm
F	370 mm

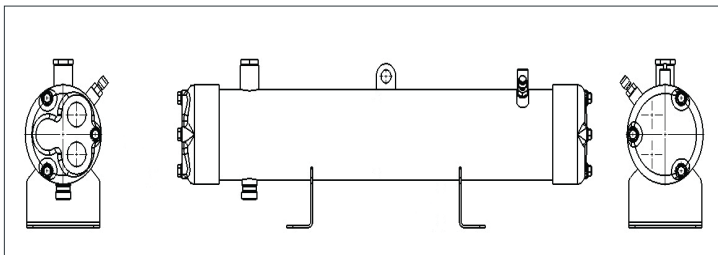


CONNECTIONS & WEIGHT

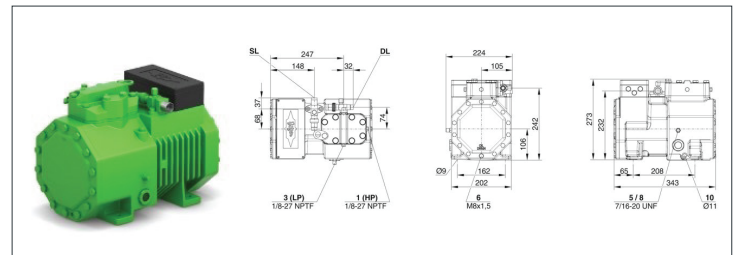
Water Inlet	G 1"
Water Outlet	G 1"
Liquid Refrigerant Outlet	5/8"
Bolt Size	M12
Weight	115 kg



CONDENSER SPECIFICATION



COMPRESSOR SPECIFICATION



CONDENSER MODEL: 35R

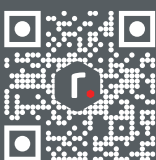
Tube Side	
Volume	3.5 L
Max Allowable Pressure	16 bar
Water flow rate	2.9 m ³ /h
Pressure drop	9.2 kPa
Shell Side	
Volume	6.6 L
Max Allowable Pressure	30 bar

BITZER COMPRESSOR MODEL: 2CES-4Y-40S

Displacement (1450 RPM 50Hz)	16.24 m ³ /h
Max. pressure (LP/HP)	19 / 32 bar
Connection suction line	22 mm – 7/8"
Connection discharge line	16 mm – 5/8"
Motor version	1
Motor voltage	380-420V Y-3-50Hz
Max. Operating current	10.0 A
Max. Power input	5.6 kW
Oil Type	BSE32 (Standard)

The **rime Water-Cooled Condensing Unit** is engineered for reliable, high-efficiency performance in commercial and industrial refrigeration applications. Designed with a compact layout and built using quality-driven components, the unit ensures stable operation, effective

heat rejection, and long-term durability under demanding conditions. Our manufacturing capabilities, reflects a commitment to precision, reliability, and building refrigeration solutions that are designed to perform and built to endure.



CONTACT
 SALES@RIMEGROUP.COM
 +971 4 4918522

RIME GROUP FZE
 Plot No. S21315, South Zone JAFZA, Dubai, UAE
 P.O Box 26828 | www.rimegroup.com