

WATER COOLED CONDENSING UNIT

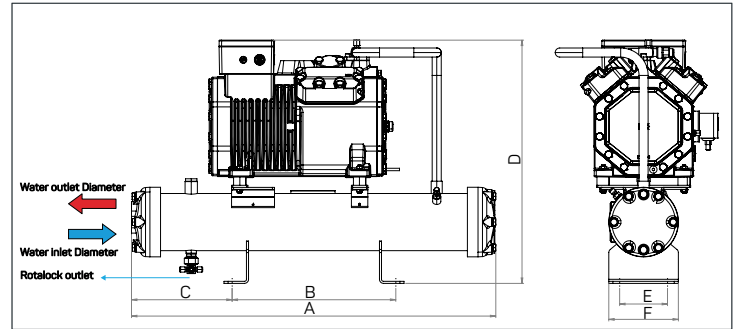
Model: RWUL-B030Y-20RS



DATA SHEET

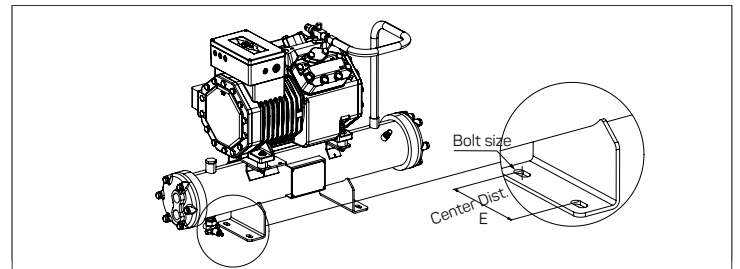
DIMENSIONS TABLE

A	890 mm
B	400 mm
C	244 mm
D	622mm
E	117 mm
F	410 mm

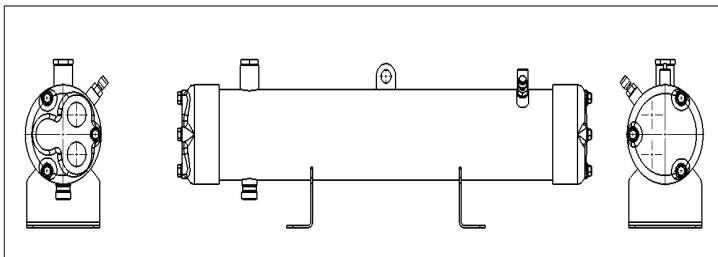


CONNECTIONS & WEIGHT

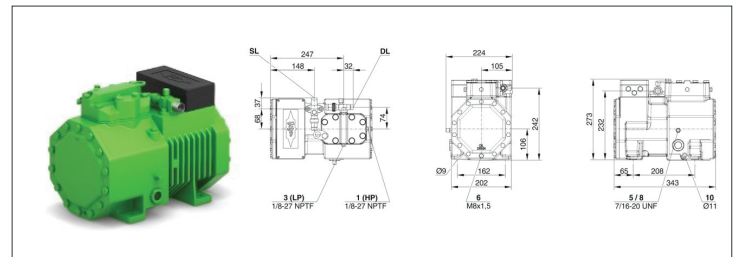
Water Inlet	G 1"
Water Outlet	G 1"
Liquid Refrigerant Outlet	5/8"
Bolt Size	M12
Weight	130 kg



CONDENSER SPECIFICATION



COMPRESSOR SPECIFICATION



CONDENSER MODEL: 20RS

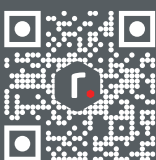
Tube Side	
Volume	2.8 L
Max Allowable Pressure	16 bar
Water flow rate	2.2 m ³ /h
Pressure drop	7.9 kPa
Shell Side	
Volume	7.5 L
Max Allowable Pressure	30 bar

BITZER COMPRESSOR MODEL: 4FES-3Y-20D

Displacement (1750 RPM 50Hz)	21.78 m ³ /h
Max. pressure (LP/HP)	19 / 32 bar
Connection suction line	22 mm – 7/8"
Connection discharge line	16 mm – 5/8"
Motor version	2
Motor voltage	360-400V Y-3-60Hz
Max. Operating current	12.1 A
Max. Power input	6.4 kW
Oil Type	BSE32 (Standard)

The **rime Water-Cooled Condensing Unit** is engineered for reliable, high-efficiency performance in commercial and industrial refrigeration applications. Designed with a compact layout and built using quality-driven components, the unit ensures stable operation, effective

heat rejection, and long-term durability under demanding conditions. Our manufacturing capabilities, reflects a commitment to precision, reliability, and building refrigeration solutions that are designed to perform and built to endure.



CONTACT
SALES@RIMEGROUP.COM
+971 4 4918522

RIME GROUP FZE
Plot No. M00535 North Zone JAFZA, Dubai, UAE
P.O Box 26820 | www.rimegroup.com