

## WATER COOLED CONDENSING UNIT

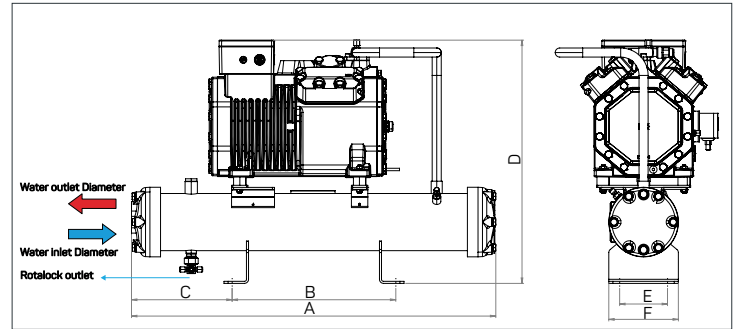
Model: RWUM-B005Y-11RS



DATA SHEET

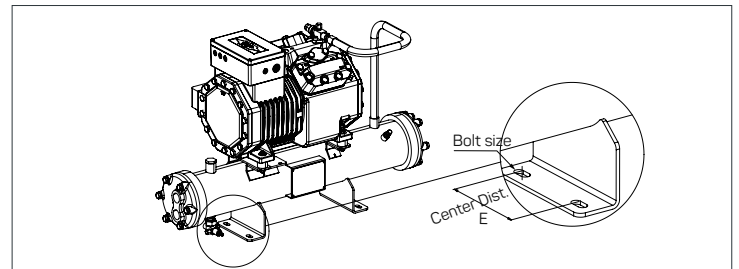
### DIMENSIONS TABLE

A	675 mm
B	300 mm
C	194 mm
D	484mm
E	79 mm
F	333 mm

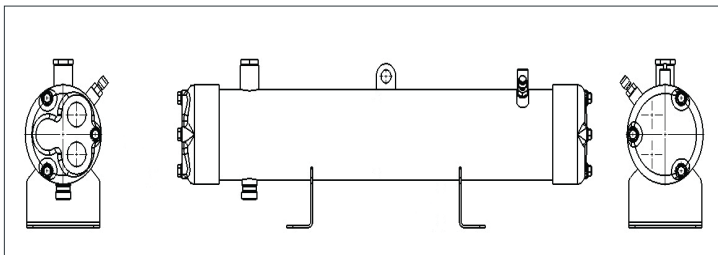


### CONNECTIONS & WEIGHT

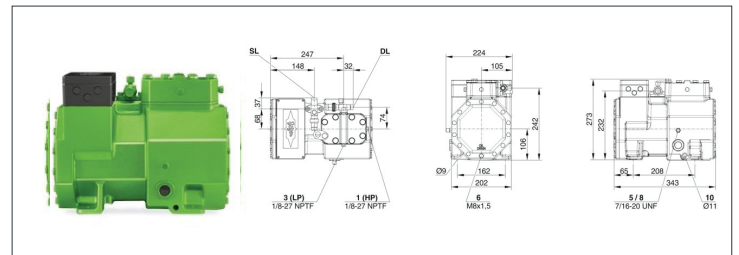
Water Inlet	G 1"
Water Outlet	G 1"
Liquid Refrigerant Outlet	3/8"
Bolt Size	M10
Weight	68 kg



### CONDENSER SPECIFICATION



### COMPRESSOR SPECIFICATION



### CONDENSER MODEL: 11RS

#### Tube Side

Volume	1.2 L
Max Allowable Pressure	16 bar
Water flow rate	0.9 m <sup>3</sup> /h
Pressure drop	2.4 kPa

#### Shell Side

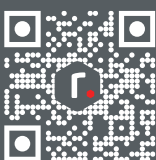
Volume	4.0 L
Max Allowable Pressure	30 bar

### BITZER COMPRESSOR MODEL: 2KES-05Y-20D

Displacement (1750 RPM 50Hz)	4.90 m <sup>3</sup> /h
Max. pressure (LP/HP)	19 / 32 bar
Connection suction line	16 mm – 5/8"
Connection discharge line	12 mm – 1/2"
Motor version	1
Motor voltage	360-400V Y-3-60Hz
Max. Operating current	3.6 A
Max. Power input	1.8 kW
Oil Type	BSE32 (Standard)

The **rime Water-Cooled Condensing Unit** is engineered for reliable, high-efficiency performance in commercial and industrial refrigeration applications. Designed with a compact layout and built using quality-driven components, the unit ensures stable operation, effective

heat rejection, and long-term durability under demanding conditions. Our manufacturing capabilities, reflects a commitment to precision, reliability, and building refrigeration solutions that are designed to perform and built to endure.



CONTACT  
SALES@RIMEGROUP.COM  
+971 4 4918522

RIME GROUP FZE  
Plot No. S21315, South Zone JAFZA, Dubai, UAE  
P.O Box 26828 | www.rimegroup.com