

WATER COOLED CONDENSING UNIT

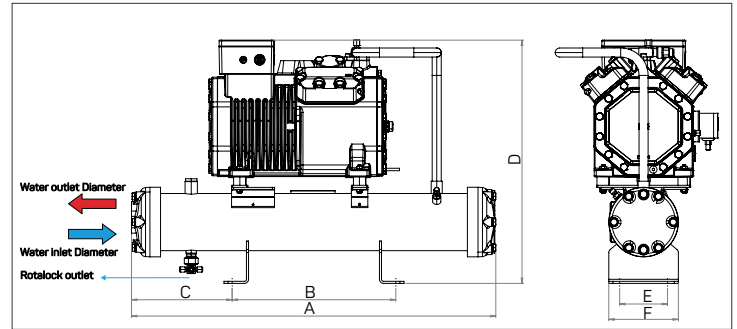
Model: RWUM-B020Y-11RS



DATA SHEET

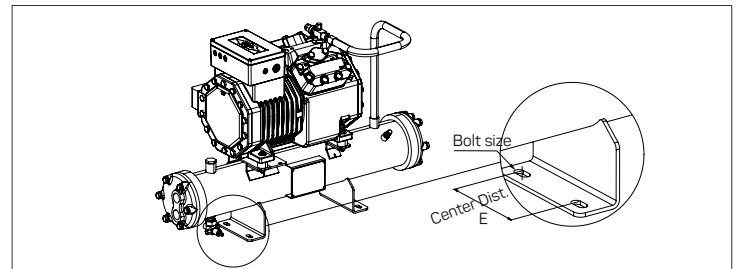
DIMENSIONS TABLE

A	675 mm
B	300 mm
C	19244 mm
D	484 mm
E	79 mm
F	333 mm

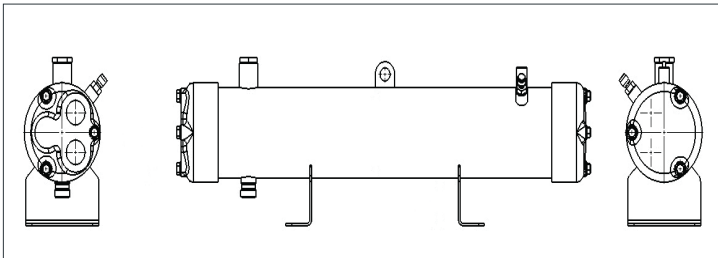


CONNECTIONS & WEIGHT

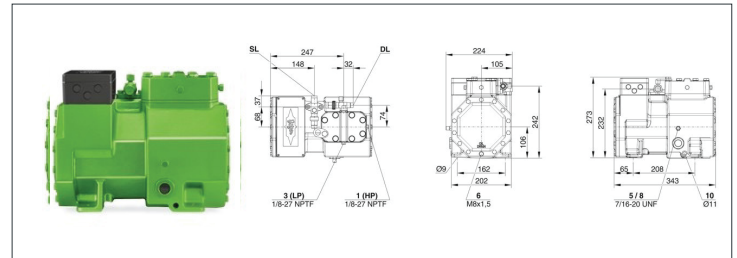
Water Inlet	G 1"
Water Outlet	G 1"
Liquid Refrigerant Outlet	3/8"
Bolt Size	M10
Weight	71 kg



CONDENSER SPECIFICATION



COMPRESSOR SPECIFICATION



CONDENSER MODEL: 11RS

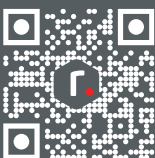
Tube Side	
Volume	1.2 L
Max Allowable Pressure	16 bar
Water flow rate	0.9 m ³ /h
Pressure drop	2.4 kPa
Shell Side	
Volume	4.0 L
Max Allowable Pressure	30 bar

BITZER COMPRESSOR MODEL: 2HES-2Y-20D

Displacement (1750 RPM 50Hz)	7.86 m ³ /h
Max. pressure (LP/HP)	19 / 32 bar
Connection suction line	16 mm – 5/8"
Connection discharge line	12 mm – 1/2"
Motor version	1
Motor voltage	360-400V Y-3-60Hz
Max. Operating current	5.7 A
Max. Power input	2.9 kW
Oil Type	BSE32 (Standard)

The *rime Water-Cooled Condensing Unit* is engineered for reliable, high-efficiency performance in commercial and industrial refrigeration applications. Designed with a compact layout and built using quality-driven components, the unit ensures stable operation, effective

heat rejection, and long-term durability under demanding conditions. Our manufacturing capabilities, reflects a commitment to precision, reliability, and building refrigeration solutions that are designed to perform and built to endure.



CONTACT
SALES@RIMEGROUP.COM
+971 4 4918522

RIME GROUP FZE
Plot No. S21315, South Zone JAFZA, Dubai, UAE
P.O Box 26828 | www.rimegroup.com