

## WATER COOLED CONDENSING UNIT

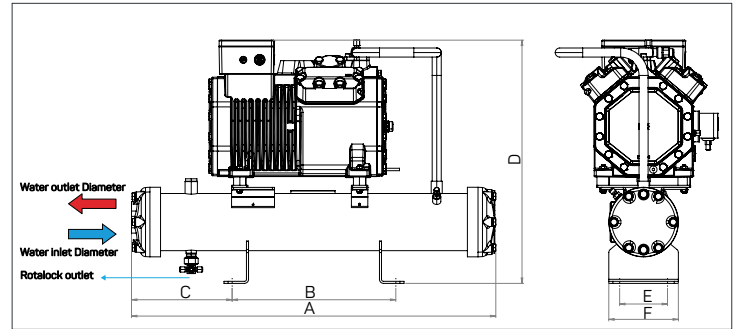
Model: RWUM-B060Y-35RS



DATA SHEET

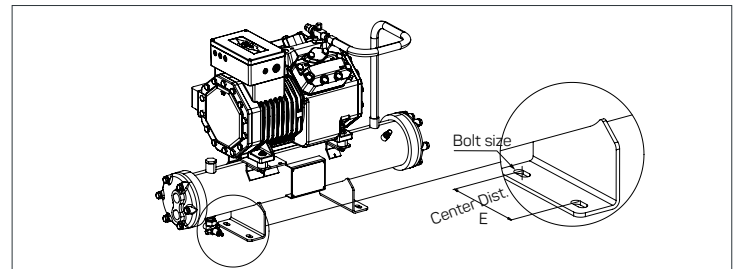
### DIMENSIONS TABLE

A	888 mm
B	400 mm
C	244 mm
D	622 mm
E	117 mm
F	370 mm

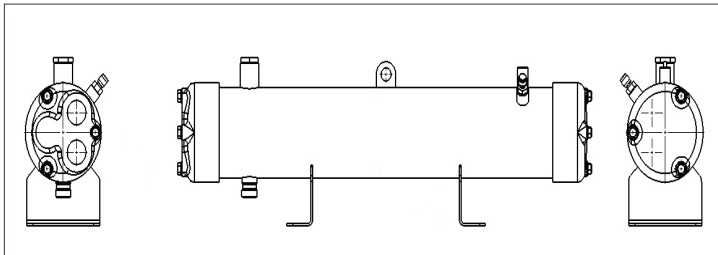


### CONNECTIONS & WEIGHT

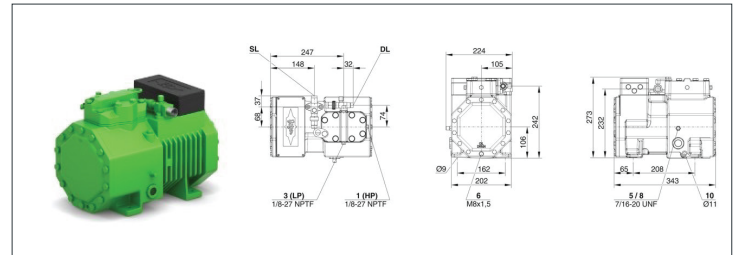
Water Inlet	G 1"
Water Outlet	G 1"
Liquid Refrigerant Outlet	5/8"
Bolt Size	M12
Weight	134 kg



### CONDENSER SPECIFICATION



### COMPRESSOR SPECIFICATION



### CONDENSER MODEL: 35RS

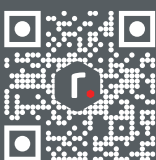
Tube Side	
Volume	3.5 L
Max Allowable Pressure	16 bar
Water flow rate	2.9 m <sup>3</sup> /h
Pressure drop	9.2 kPa
Shell Side	
Volume	6.6 L
Max Allowable Pressure	30 bar

### BITZER COMPRESSOR MODEL: 4EES-6Y-20D

Displacement (1750 RPM 50Hz)	27.42 m <sup>3</sup> /h
Max. pressure (LP/HP)	19 / 32 bar
Connection suction line	28 mm – 1 1/8"
Connection discharge line	16 mm – 5/8"
Motor version	1
Motor voltage	360-400V Y-3-60Hz
Max. Operating current	17.3 A
Max. Power input	9.2 kW
Oil Type	BSE32 (Standard)

The **rime Water-Cooled Condensing Unit** is engineered for reliable, high-efficiency performance in commercial and industrial refrigeration applications. Designed with a compact layout and built using quality-driven components, the unit ensures stable operation, effective

heat rejection, and long-term durability under demanding conditions. Our manufacturing capabilities, reflects a commitment to precision, reliability, and building refrigeration solutions that are designed to perform and built to endure.



CONTACT  
SALES@RIMEGROUP.COM  
+971 4 4918522

RIME GROUP FZE  
Plot No. S21315, South Zone JAFZA, Dubai, UAE  
P.O Box 26828 | www.rimegroup.com