

WATER COOLED CONDENSING UNIT

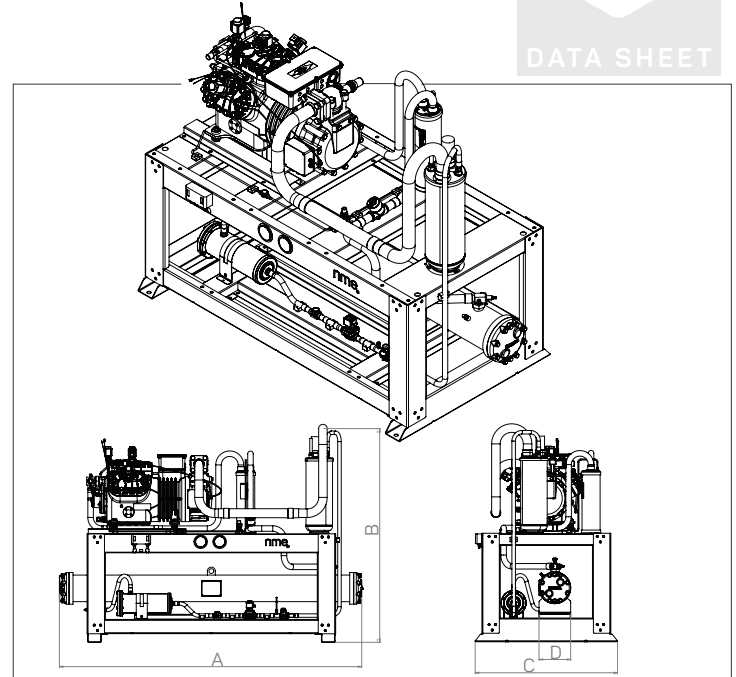
Model: RWUL-B090Y-45R



DATA SHEET

DIMENSIONS TABLE

A	1330 mm
B	1260 mm
C	860 mm
D	200 mm



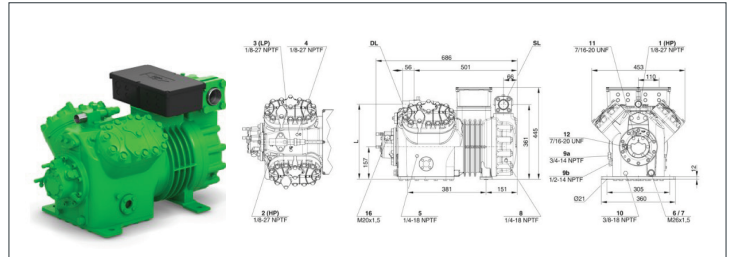
CONNECTIONS & WEIGHT

Water Inlet	G 1"
Water Outlet	G 1"
Liquid Refrigerant Outlet	1/2"
Weight	248 kg

CONDENSER SPECIFICATION



COMPRESSOR SPECIFICATION



CONDENSER MODEL: 45R

Tube Side	
Volume	4.7 L
Max Allowable Pressure	10 bar
Water flow rate	4.65 m ³ /h
Pressure drop	16.9 kPa

BITZER COMPRESSOR MODEL: 4TE-9Y-40P

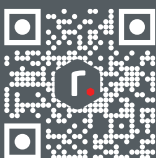
Displacement (1450 RPM 50Hz)	41.33 m ³ /h
Max. pressure (LP/HP)	19 / 32 bar
Connection suction line	35 mm – 1 3/8"
Connection discharge line	28 mm – 1 1/8"
Motor version	2
Motor voltage	380-420V PW-3-50Hz
Max. Operating current	19.9 A
Max. Power input	13.0 kW
Oil Type	BSE32 (Standard)

Shell Side

Volume	9.1 L
Max Allowable Pressure	30 bar

The **rime Water-Cooled Condensing Unit** is engineered for reliable, high-efficiency performance in commercial and industrial refrigeration applications. Designed with a compact layout and built using quality-driven components, the unit ensures stable operation, effective

heat rejection, and long-term durability under demanding conditions. Our manufacturing capabilities, reflects a commitment to precision, reliability, and building refrigeration solutions that are designed to perform and built to endure.



CONTACT
SALES@RIMEGROUP.COM
+971 4 4918522

RIME GROUP FZE
Plot No. S21315, South Zone JAFZA, Dubai, UAE
P.O Box 26828 | www.rimegroup.com