

WATER COOLED CONDENSING UNIT

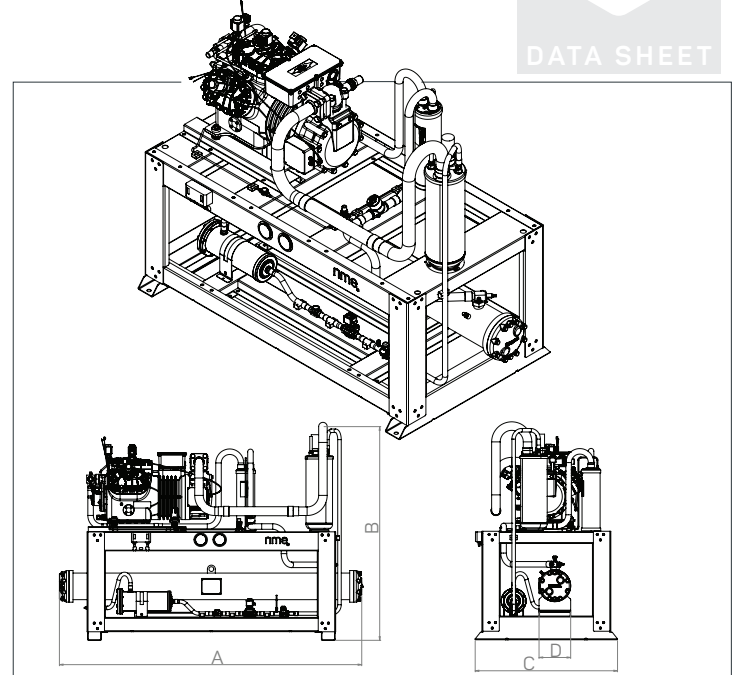
Model: RWUM-B220Y-100R



DATA SHEET

DIMENSIONS TABLE

A	1515 mm
B	1260 mm
C	900 mm
D	200 mm



CONNECTIONS & WEIGHT

Water Inlet	G 2"
Water Outlet	G 2"
Liquid Refrigerant Outlet	7/8"
Weight	312 kg

CONDENSER SPECIFICATION



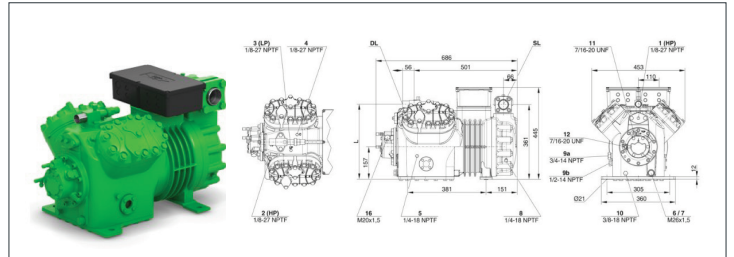
CONDENSER MODEL: 100R

Tube Side	
Volume	8.8 L
Max Allowable Pressure	10 bar
Water flow rate	11.2 m ³ /h
Pressure drop	9.1 kPa

Shell Side

Volume	17.7 L
Max Allowable Pressure	30 bar

COMPRESSOR SPECIFICATION

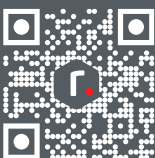


BITZER COMPRESSOR MODEL: 4JE-22Y-40P

Displacement (1450 RPM 50Hz)	63.5 m ³ /h
Max. pressure (LP/HP)	19 / 32 bar
Connection suction line	42 mm – 1 5/8"
Connection discharge line	28 mm – 1 1/8"
Motor version	1
Motor voltage	380-420V PW-3-50Hz
Max. Operating current	37.2 A
Max. Power input	21.0 kW
Oil Type	BSE32 (Standard)

The rime Water-Cooled Condensing Unit is engineered for reliable, high-efficiency performance in commercial and industrial refrigeration applications. Designed with a compact layout and built using quality-driven components, the unit ensures stable operation, effective

heat rejection, and long-term durability under demanding conditions. Our manufacturing capabilities, reflects a commitment to precision, reliability, and building refrigeration solutions that are designed to perform and built to endure.



CONTACT
SALES@RIMEGROUP.COM
+971 4 4918522

RIME GROUP FZE
Plot No. S21315, South Zone JAFZA, Dubai, UAE
P.O Box 26828 | www.rimegroup.com