

## WATER COOLED CONDENSING UNIT

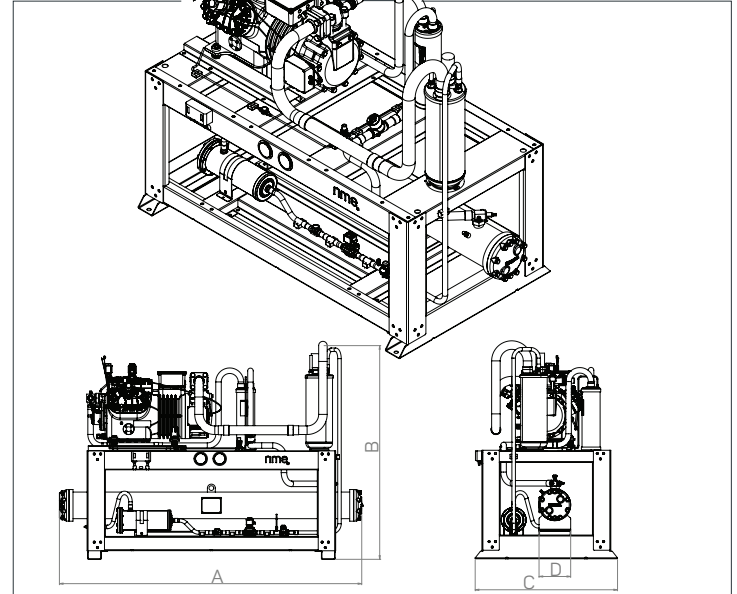
Model: RWUM-B330Y-145R



DATA SHEET

### DIMENSIONS TABLE

A	1920 mm
B	1400 mm
C	900 mm
D	200 mm



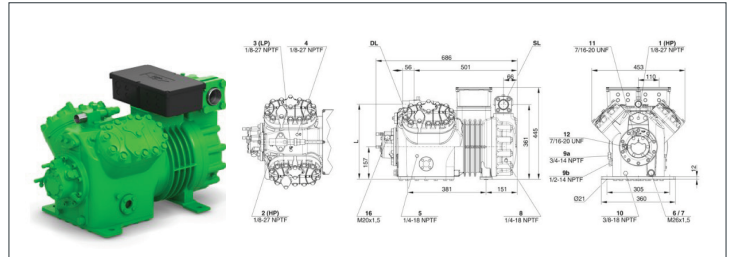
### CONNECTIONS & WEIGHT

Water Inlet	G 2"
Water Outlet	G 2"
Liquid Refrigerant Outlet	7/8"
Weight	377 kg

### CONDENSER SPECIFICATION



### COMPRESSOR SPECIFICATION



### CONDENSER MODEL: 145R

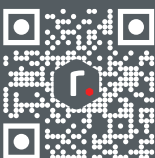
Tube Side	
Volume	10.8 L
Max Allowable Pressure	10 bar
Water flow rate	11.4 m <sup>3</sup> /h
Pressure drop	10.1 kPa

### BITZER COMPRESSOR MODEL: 6JE-33Y-40P

Displacement (1450 RPM 50Hz)	95.3 m <sup>3</sup> /h
Max. pressure (LP/HP)	19 / 32 bar
Connection suction line	54 mm – 2 1/8"
Connection discharge line	35 mm – 1 3/8"
Motor version	1
Motor voltage	380-420V PW-3-50Hz
Max. Operating current	53.2 A
Max. Power input	30.0 kW
Oil Type	BSE32 (Standard)

*The rime Water-Cooled Condensing Unit is engineered for reliable, high-efficiency performance in commercial and industrial refrigeration applications. Designed with a compact layout and built using quality-driven components, the unit ensures stable operation, effective*

*heat rejection, and long-term durability under demanding conditions. Our manufacturing capabilities, reflects a commitment to precision, reliability, and building refrigeration solutions that are designed to perform and built to endure.*



CONTACT  
SALES@RIMEGROUP.COM  
+971 4 4918522

RIME GROUP FZE  
Plot No. S21315, South Zone JAFZA, Dubai, UAE  
P.O Box 26828 | www.rimegroup.com