

WATER COOLED CONDENSING UNIT

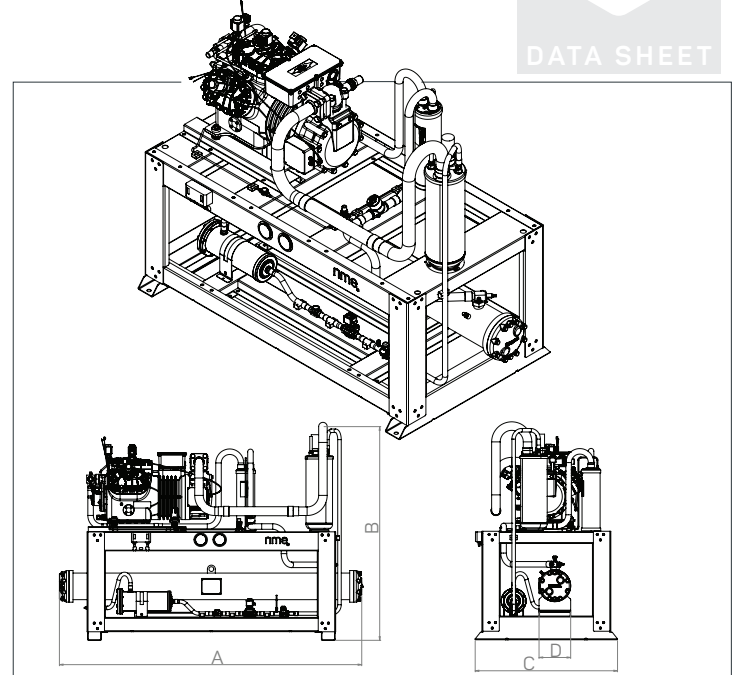
Model: RWUM-B350Y-145R



DATA SHEET

DIMENSIONS TABLE

A	1920 mm
B	1400 mm
C	900 mm
D	200 mm



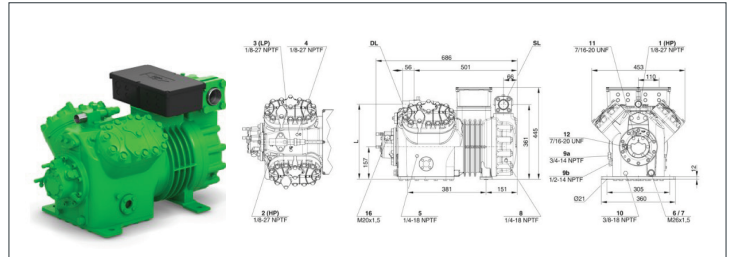
CONNECTIONS & WEIGHT

Water Inlet	G 2"
Water Outlet	G 2"
Liquid Refrigerant Outlet	7/8"
Weight	340 kg

CONDENSER SPECIFICATION



COMPRESSOR SPECIFICATION



CONDENSER MODEL: 145R

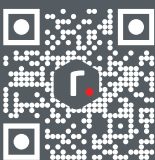
Tube Side	
Volume	10.8 L
Max Allowable Pressure	10 bar
Water flow rate	11.4 m ³ /h
Pressure drop	10.1 kPa

BITZER COMPRESSOR MODEL: 4FE-35Y-40P

Displacement (1450 RPM 50Hz)	101.8 m ³ /h
Max. pressure (LP/HP)	19 / 32 bar
Connection suction line	54 mm – 2 1/8"
Connection discharge line	28 mm – 1 1/8"
Motor version	1
Motor voltage	380-420V PW-3-50Hz
Max. Operating current	62.1 A
Max. Power input	35.0 kW
Oil Type	BSE32 (Standard)

The rime Water-Cooled Condensing Unit is engineered for reliable, high-efficiency performance in commercial and industrial refrigeration applications. Designed with a compact layout and built using quality-driven components, the unit ensures stable operation, effective

heat rejection, and long-term durability under demanding conditions. Our manufacturing capabilities, reflects a commitment to precision, reliability, and building refrigeration solutions that are designed to perform and built to endure.



CONTACT
SALES@RIMEGROUP.COM
+971 4 4918522

RIME GROUP FZE
Plot No. S21315, South Zone JAFZA, Dubai, UAE
P.O Box 26828 | www.rimegroup.com